




# Product Specification

AU OPTRONICS CORPORATION

( ) Preliminary Specifications

(V) Final Specifications

<b>Module</b>	<b>17,3”(17.25”) FHD 16:9 Color TFT-LCD with LED Backlight design</b>
<b>Model Name</b>	B173HW01 V4 (H/W:0A) X919N
<b>Note</b> (  )	<b><i>LED Backlight with driving circuit design</i></b>

<b>Customer</b>	<b>Date</b>
<b>Checked &amp; Approved by</b>	<b>Date</b>
Note: This Specification is subject to change without notice.	

<b>Approved by</b>	<b>Date</b>
<u>Beyond Yang</u>	<u>09/15/2009</u>
<b>Prepared by</b>	<b>Date</b>
<u>Jeff Hou</u>	<u>09/15/2009</u>
<b>NBBU Marketing Division AU Optronics corporation</b>	



**Contents**

**1. Handling Precautions ..... 4**

**2. General Description ..... 5**

    2.1 General Specification ..... 5

    2.2 Optical Characteristics ..... 6

**3. Functional Block Diagram ..... 11**

**4. Absolute Maximum Ratings..... 12**

    4.1 Absolute Ratings of TFT LCD Module ..... 12

    4.2 Absolute Ratings of Environment ..... 12

**5. Electrical Characteristics..... 13**

    5.1 TFT LCD Module..... 13

    5.2 Backlight Unit ..... 15

**6. Signal Interface Characteristic..... 16**

    6.1 Pixel Format Image ..... 16

    6.2 The Input Data Format ..... 17

    6.3 Integration Interface Requirement..... 18

    6.4 Interface Timing ..... 20

**7. Panel Reliability Test ..... 22**

    7.1 Vibration Test ..... 22

    7.2 Shock Test ..... 22

    7.3 Reliability Test..... 22

**8. Mechanical Characteristics..... 23**

    8.1 LCM Outline Dimension..... 23

    8.2 Screw Hole Depth and Center Position..... 25

**9. Shipping and Package ..... 26**

    9.1 Shipping Label Format ..... 26

    12.2 Definition of customer PPID Label and Revision Code ..... 26

    9.2 Carton Package..... 27

    9.3 Shipping Package of Palletizing Sequence..... 27

**10. Appendix: EDID Description..... 28**



# Product Specification

AU OPTRONICS CORPORATION

## Record of Revision

Version and Date	Page	Old description	New Description	Remark
0.1 2009/02/26	All	First Edition for Customer		
0.2 2009/07/28	All	Update Label		
0.3 2009/09/08	All	Update Label and EDID (A00)		
1.0 2009/09/15	All	<b>Final Specifications)</b>		

## 1. Handling Precautions

- 1) Since front polarizer is easily damaged, pay attention not to scratch it.
- 2) Be sure to turn off power supply when inserting or disconnecting from input connector.
- 3) Wipe off water drop immediately. Long contact with water may cause discoloration or spots.
- 4) When the panel surface is soiled, wipe it with absorbent cotton or other soft cloth.
- 5) Since the panel is made of glass, it may break or crack if dropped or bumped on hard surface.
- 6) Since CMOS LSI is used in this module, take care of static electricity and insure human earth when handling.
- 7) Do not open nor modify the Module Assembly.
- 8) Do not press the reflector sheet at the back of the module to any directions.
- 9) At the insertion or removal of the Signal Interface Connector, be sure not to rotate nor tilt the Interface Connector of the TFT Module.
- 11) After installation of the TFT Module into an enclosure (Notebook PC Bezel, for example), do not twist nor bend the TFT Module even momentary. At designing the enclosure, it should be taken into consideration that no bending/twisting forces are applied to the TFT Module from outside. Otherwise the TFT Module may be damaged.
- 12) Small amount of materials having no flammability grade is used in the LCD module. The LCD module should be supplied by power complied with requirements of Limited Power Source (IEC60950 or UL1950), or be applied exemption.
- 13) Disconnecting power supply before handling LCD modules, it can prevent electric shock, DO NOT TOUCH the electrode parts, cables, connectors and LED circuit part of TFT module that a LED light bar build in as a light source of back light unit. It can prevent electrostatic breakdown.

## 2. General Description

B173HW01 V4 is a Color Active Matrix Liquid Crystal Display composed of a TFT LCD panel, a driver circuit, and LED backlight system. The screen format is intended to support the FHD (1920(H) x 1080(V) screen and 262k colors (RGB 6-bits data driver) with LED backlight driving circuit. All input signals are LVDS interface compatible.

B173HW01 V4 is designed for a display unit of notebook style personal computer and industrial machine.

### 2.1 General Specification

The following items are characteristics summary on the table at 25 °C condition:

Items	Unit	Specifications			
Screen Diagonal	[mm]	438.15			
Active Area	[mm]	381.89 X214.81			
Pixels H x V		1920x3(RGB) x 1050			
Pixel Pitch	[mm]	0.1989X0.1989			
Pixel Format		R.G.B. Vertical Stripe			
Display Mode		Normally White			
White Luminance (ILED=20mA) (Note: ILED is LED current)	[cd/m <sup>2</sup> ]	300 typ. (5 points average) 270 min. (5 points average)			
Luminance Uniformity		1.25 max. (5 points)			
Contrast Ratio		600 typ			
Response Time	[ms]	8 typ / 16 Max			
Nominal Input Voltage VDD	[Volt]	+3.3 typ.			
Power Consumption	[Watt]	12 W max. (Include Logic and Blu power)			
Weight	[Grams]	600 max.			
Physical Size	[mm]		Min.	Typ.	Max.
		Length	397.6	398.1	398.6
		Width	232.3	232.8	233.3
		Thickness	-	-	6.0
Electrical Interface		2 channel LVDS			
Glass Thickness	[mm]	0.5			
Surface Treatment		Glare, Hardness 4H,			
Support Color		262K colors ( RGB 6-bit )			



# Product Specification

AU OPTRONICS CORPORATION

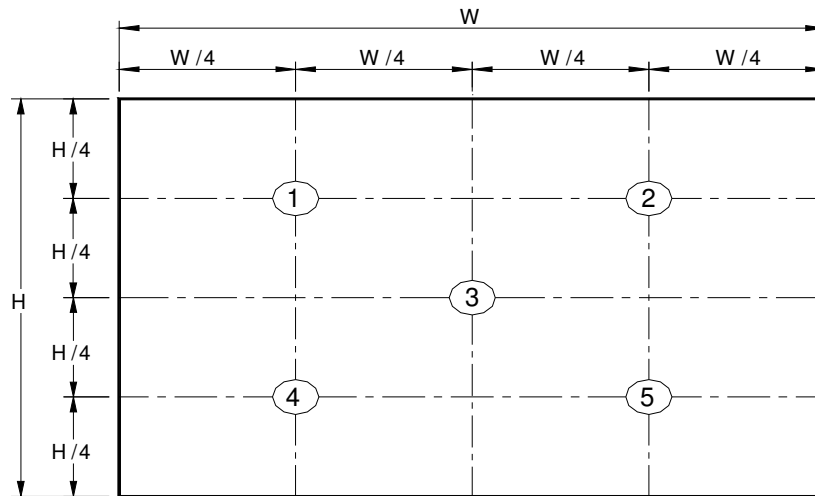
Temperature Range Operating	[°C]	0 to +50
Storage (Non-Operating)	[°C]	-20 to +60
RoHS Compliance		RoHS Compliance

## 2.2 Optical Characteristics

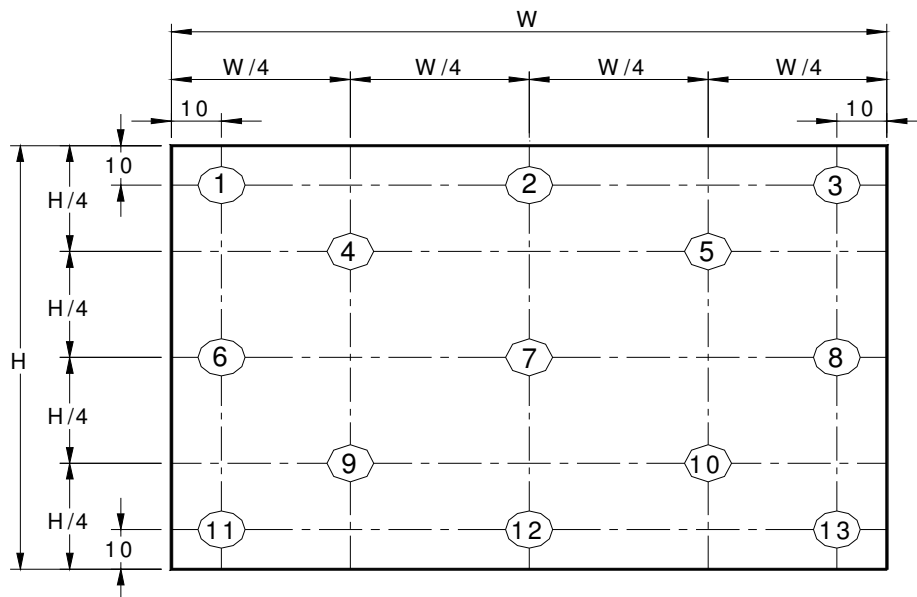
The optical characteristics are measured under stable conditions at 25°C (Room Temperature) :

Item	Symbol	Conditions	Min.	Typ.	Max.	Unit	Note	
White Luminance $I_{LED=20mA}$		5 points average	270	300	-	cd/m <sup>2</sup>	1, 4, 5.	
Viewing Angle	$\theta_R$	Horizontal (Right) CR = 10 (Left)	60	70	-	degree	4, 9	
	$\theta_L$		60	70	-			
	$\phi_H$	Vertical (Upper) CR = 10 (Lower)	50	60	-			
	$\phi_L$		50	60	-			
Luminance Uniformity	$\delta_{5P}$	5 Points	-	-	1.25		1, 3, 4	
Luminance Uniformity	$\delta_{13P}$	13 Points	-	-	1.50		2, 3, 4	
Contrast Ratio	CR		500	600	-		4, 6	
Cross talk	%				4		4, 7	
Response Time	$T_r$	Rising	-	TBD	-	msec	4, 8	
	$T_f$	Falling	-	TBD	-			
	$T_{RT}$	Rising + Falling	-	8	16			
Color / Chromaticity Coordinates	Red	Rx	CIE 1931	0.639	0.669	0.699	-	4
		Ry		0.282	0.312	0.342		
	Green	Gx		0.192	0.222	0.252		
		Gy		0.619	0.649	0.679		
	Blue	Bx		0.112	0.142	0.172		
		By		0.040	0.070	0.100		
	White	Wx		0.263	0.313	0.363		
		Wy		0.279	0.329	0.379		
NTSC	%			90				

**Note 1:** 5 points position (Ref: Active area)



**Note 2:** 13 points position (Ref: Active area)



**Note 3:** The luminance uniformity of 5 or 13 points is defined by dividing the maximum luminance values by the minimum test point luminance

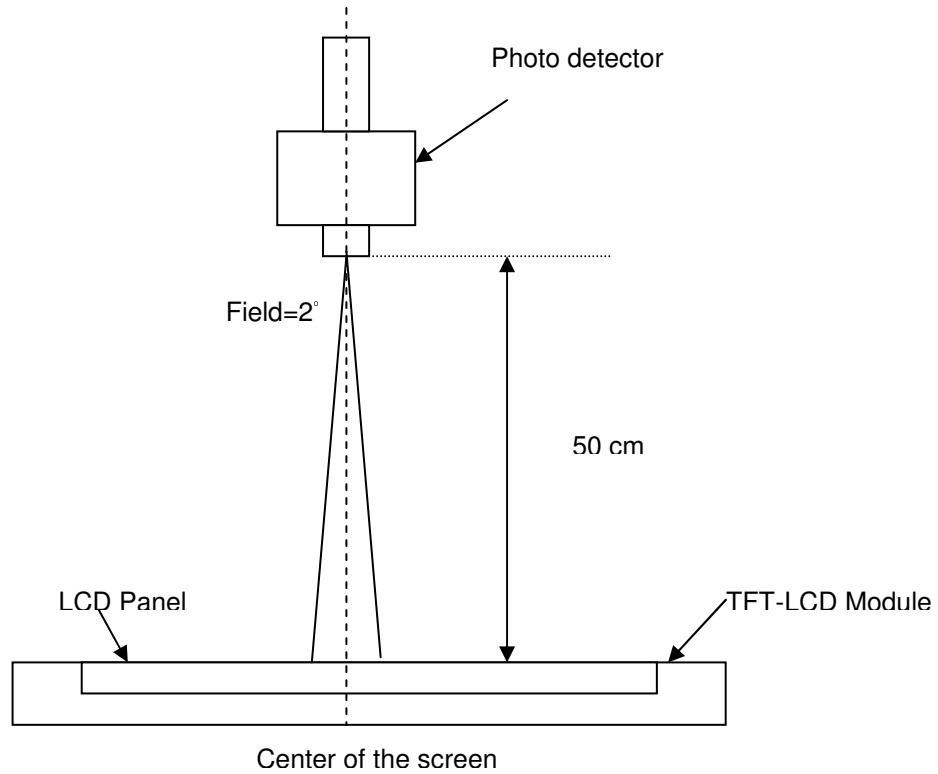
$$\delta_{w5} = \frac{\text{Maximum Brightness of five points}}{\text{Minimum Brightness of five points}}$$

$$\delta_{w13} = \frac{\text{Maximum Brightness of thirteen points}}{\text{Minimum Brightness of thirteen points}}$$

**Note 4:** Measurement method

The LCD module should be stabilized at given temperature for 30 minutes to avoid abrupt temperature change during measuring. In order to stabilize the luminance, the measurement should be executed after lighting

Backlight for 30 minutes in a stable, windless and dark room, and it should be measured in the center of screen.



**Note 5 :** Definition of Average Luminance of White ( $Y_L$ ):

Measure the luminance of gray level 63 at 5 points ·  $Y_L = [L(1) + L(2) + L(3) + L(4) + L(5)] / 5$

$L(x)$  is corresponding to the luminance of the point X at Figure in Note (1).

**Note 6 :** Definition of contrast ratio:

Contrast ratio is calculated with the following formula.

$$\text{Contrast ratio (CR)} = \frac{\text{Brightness on the "White" state}}{\text{Brightness on the "Black" state}}$$

**Note 7 :** Definition of Cross Talk (CT)

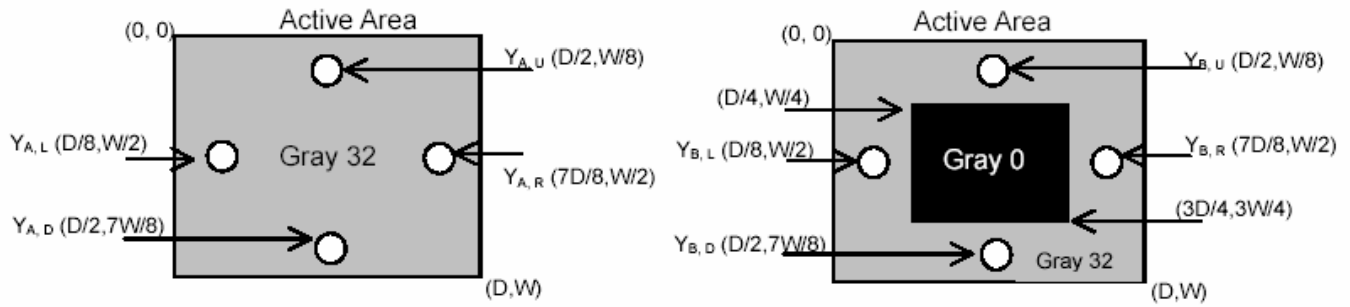
$$CT = |Y_B - Y_A| / Y_A \times 100 (\%)$$

Where

$Y_A$  = Luminance of measured location without gray level 0 pattern ( $\text{cd}/\text{m}^2$ )

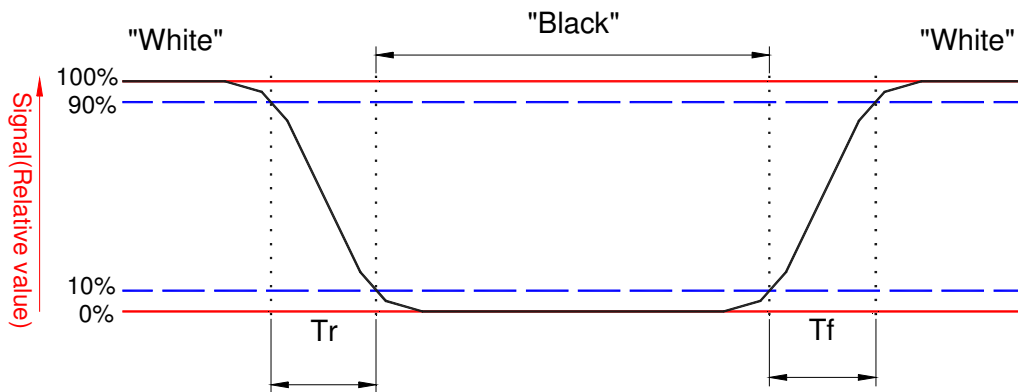
$Y_B$  = Luminance of measured location with gray level 0 pattern ( $\text{cd}/\text{m}^2$ )





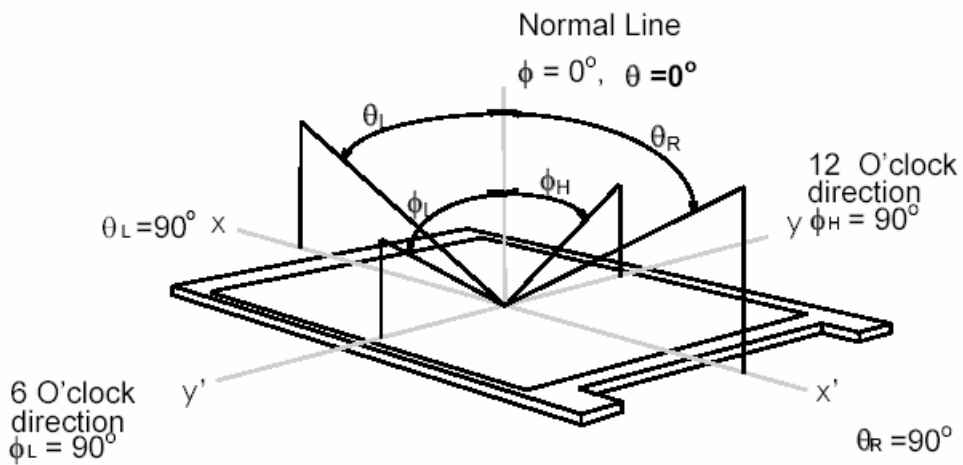
**Note 8:** Definition of response time:

The output signals of BM-7 or equivalent are measured when the input signals are changed from "Black" to "White" (falling time) and from "White" to "Black" (rising time), respectively. The response time interval between the 10% and 90% of amplitudes. Refer to figure as below.



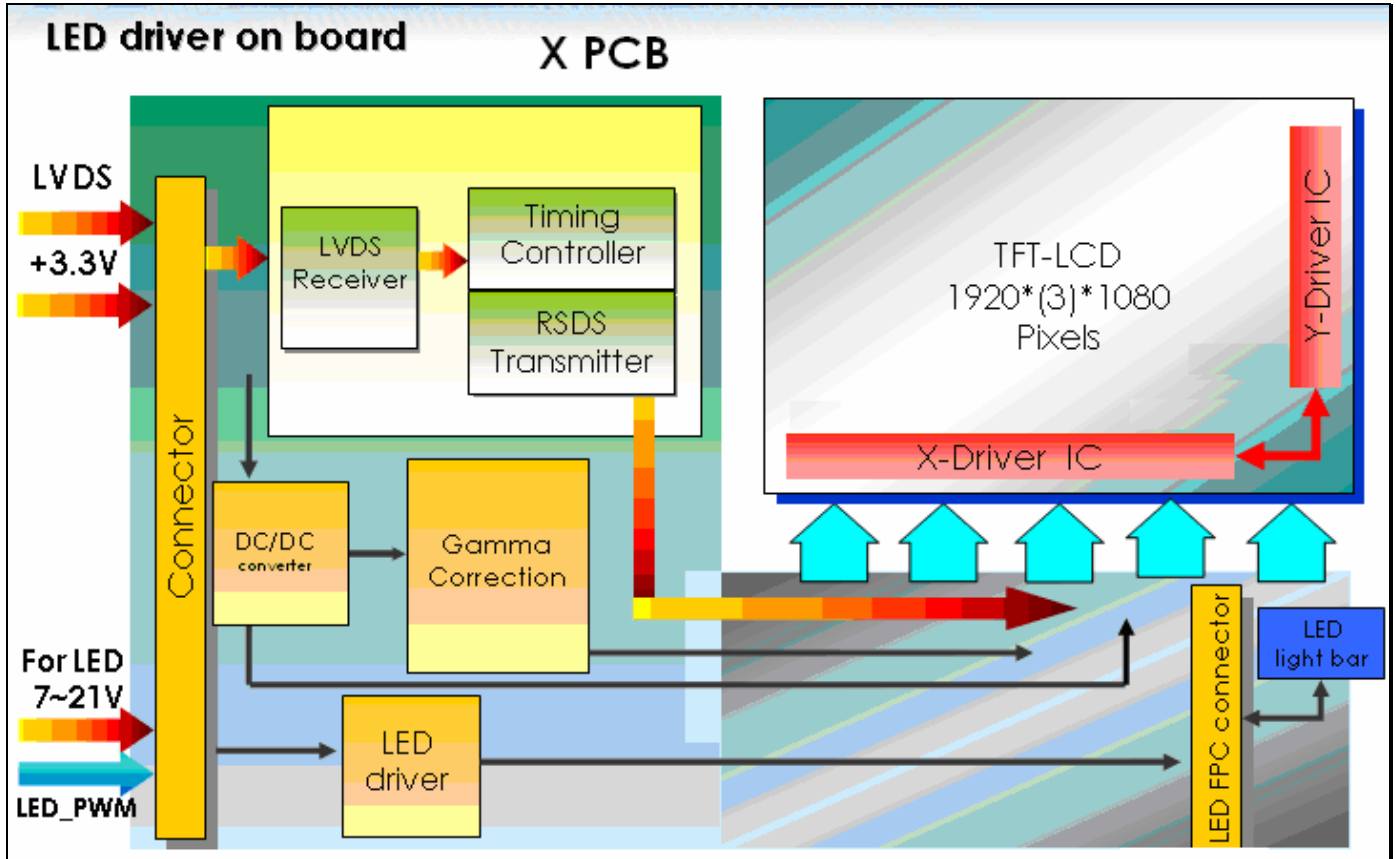
**Note 9.** Definition of viewing angle

Viewing angle is the measurement of contrast ratio  $\geq 10$ , at the screen center, over a  $180^\circ$  horizontal and  $180^\circ$  vertical range (off-normal viewing angles). The  $180^\circ$  viewing angle range is broken down as follows;  $90^\circ$  ( $\theta$ ) horizontal left and right and  $90^\circ$  ( $\phi$ ) vertical, high (up) and low (down). The measurement direction is typically perpendicular to the display surface with the screen rotated about its center to develop the desired measurement viewing angle.



## 3. Functional Block Diagram

The following diagram shows the functional block of the 17.3 inches wide Color TFT/LCD 40 Pin Dual channel Module



## 4. Absolute Maximum Ratings

An absolute maximum rating of the module is as following:

### 4.1 Absolute Ratings of TFT LCD Module

Item	Symbol	Min	Max	Unit	Conditions
Logic/LCD Drive Voltage	Vin	-0.3	+4.0	[Volt]	Note 1,2

### 4.2 Absolute Ratings of Environment

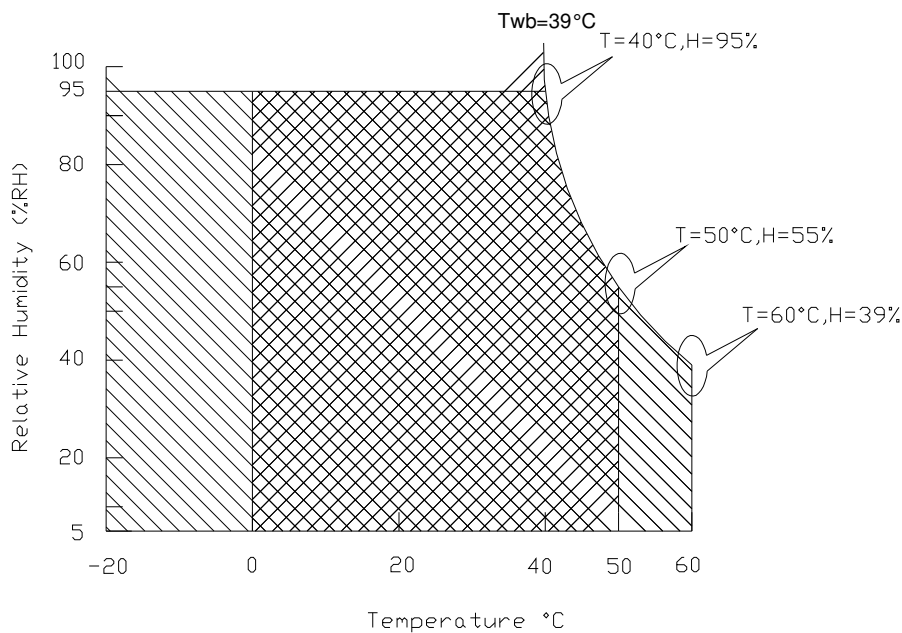
Item	Symbol	Min	Max	Unit	Conditions
Operating Temperature	TOP	0	+50	[°C]	Note 4
Operation Humidity	HOP	5	95	[%RH]	Note 4
Storage Temperature	TST	-20	+60	[°C]	Note 4
Storage Humidity	HST	5	95	[%RH]	Note 4

Note 1: At Ta (25°C )

Note 2: Permanent damage to the device may occur if exceed maximum values

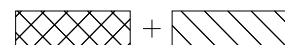
Note 3: LED specification refer to section 5.2

Note 4: For quality performance, please refer to AUO IIS (Incoming Inspection Standard).



Operating Range 

Storage Range



## 5. Electrical Characteristics

### 5.1 TFT LCD Module

#### 5.1.1 Power Specification

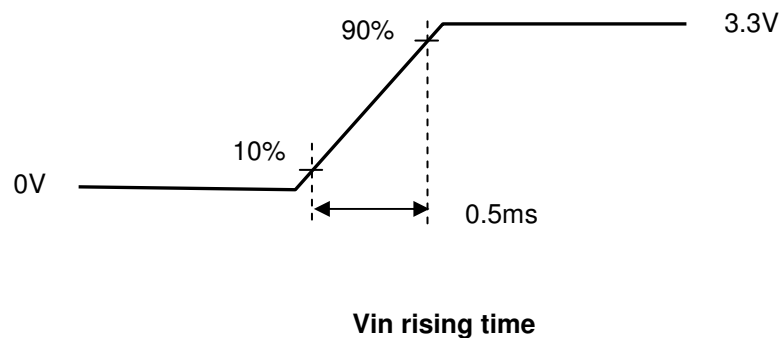
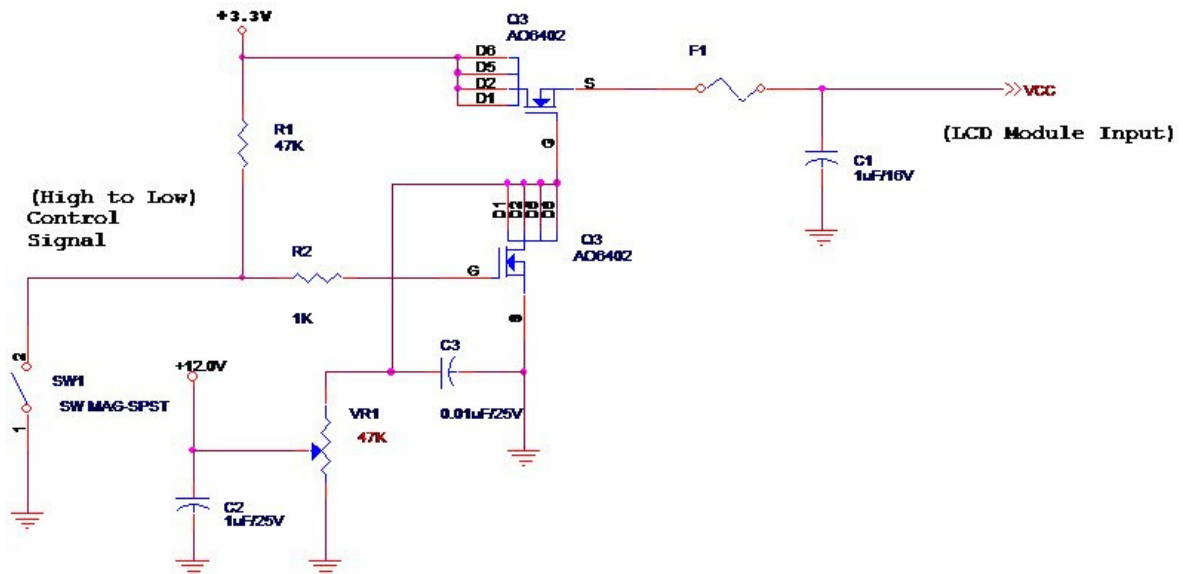
Input power specifications are as follows;

The power specification are measured under 25°C and frame frequency under 60Hz

Symble	Parameter	Min	Typ	Max	Units	Note
VDD	Logic/LCD Drive Voltage	3.0	3.3	3.6	[Volt]	
PDD	VDD Power	-	-	2	[Watt]	Note 1
IDD	IDD Current	-	-	606	[mA]	Note 1
IRush	Inrush Current	-	-	2000	[mA]	Note 2
VDDrp	Allowable Logic/LCD Drive Ripple Voltage	-	-	100	[mV] p-p	

Note 1 : Maximum Measurement Condition : Black Pattern at 3.3V driving voltage. ( $P_{max} = V_{3.3} \times I_{black}$ )

Note 2 : Measure Condition



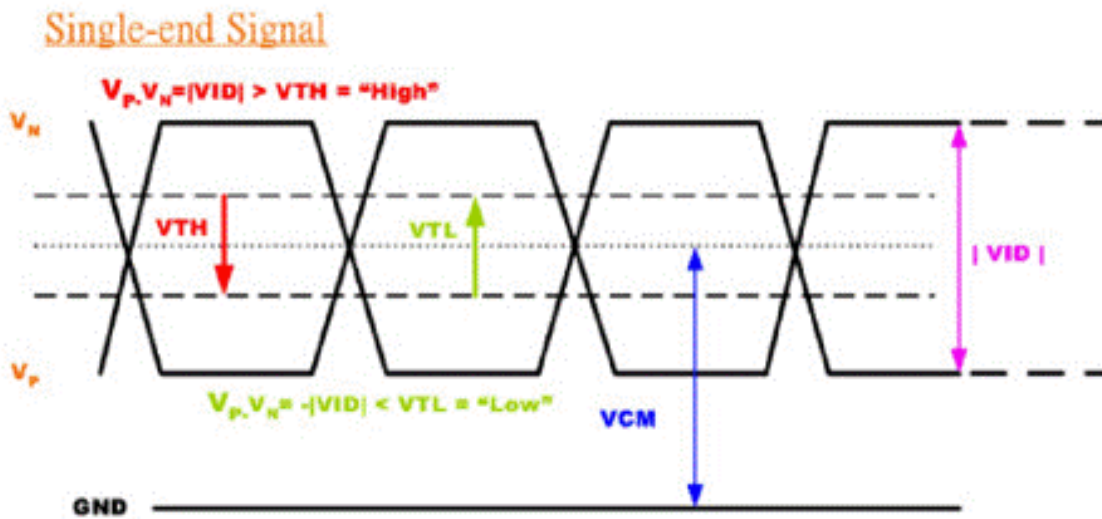
## 5.1.2 Signal Electrical Characteristics

Input signals shall be low or High-impedance state when VDD is off.

Signal electrical characteristics are as follows;

Parameter	Condition	Min	Max	Unit
$V_{TH}$	Differential Input High Threshold ( $V_{cm}=+1.2V$ )		100	[mV]
$V_{TL}$	Differential Input Low Threshold ( $V_{cm}=+1.2V$ )	-100	-	[mV]
$ V_{ID} $	Differential Input Voltage	100	600	[mV]
$V_{CM}$	Differential Input Common Mode Voltage	1.125	1.375	[V]

Note: LVDS Signal Waveform



## 5.2 Backlight Unit

### 5.2.1 LED characteristics

Parameter	Symbol	Min	Typ	Max	Units	Condition
Backlight Power Consumption	PLED	-	-	10	[Watt]	(Ta=25°C), Note 1 Vin =12V
LED Life-Time	N/A	10,000	-	-	Hour	(Ta=25°C), Note 2 If=20 mA

**Note 1:** Calculator value for reference  $P_{LED} = VF$  (Normal Distribution) \*  $I_F$  (Normal Distribution) / Efficiency

**Note 2:** The LED life-time define as the estimated time to 50% degradation of initial luminous.

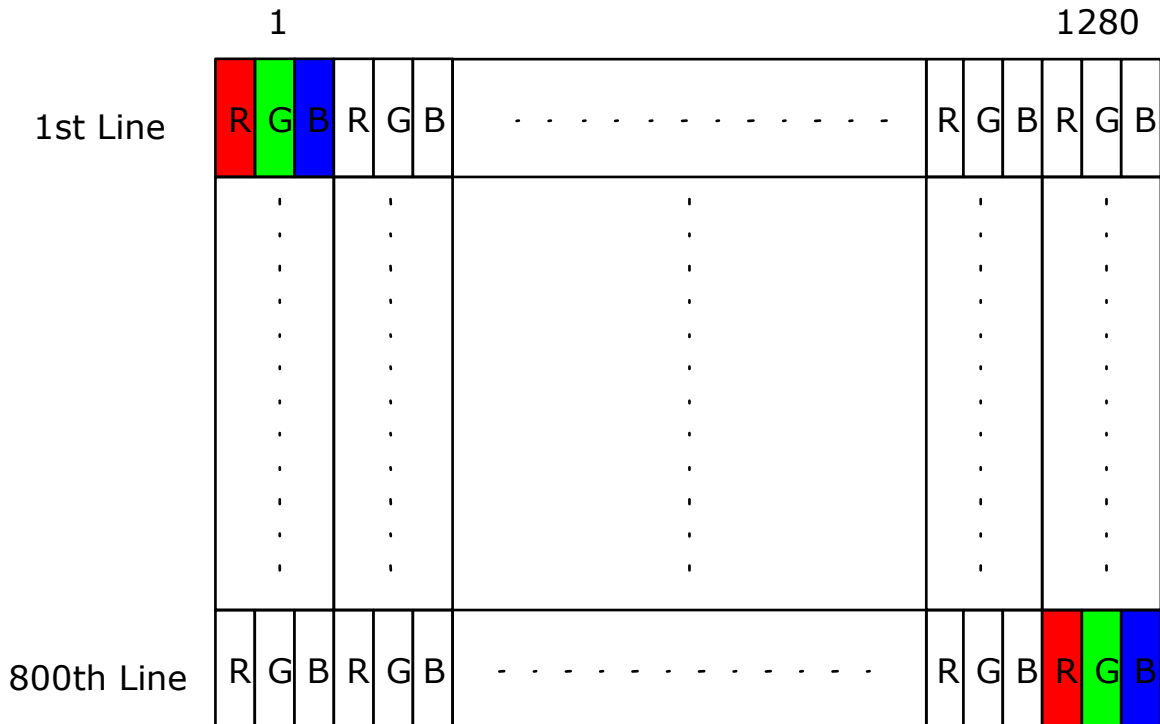
### 5.2.2 Backlight input signal characteristics

Parameter	Symbol	Min	Typ	Max	Units	Remark
LED Power Supply	VLED	6.0	12.0	21.0	[Volt]	Define as Connector Interface (Ta=25°C)
LED Enable Input High Level	VLED_EN	2.5	-	5.5	[Volt]	
LED Enable Input Low Level		-	-	0.8	[Volt]	
PWM Logic Input High Level	VPWM_EN	2.5	-	5.5	[Volt]	
PWM Logic Input Low Level		-	-	0.8	[Volt]	
PWM Input Frequency	FPWM	200	-	1K	Hz	
PWM Duty Ratio	Duty	5	--	100	%	

## 6. Signal Interface Characteristic

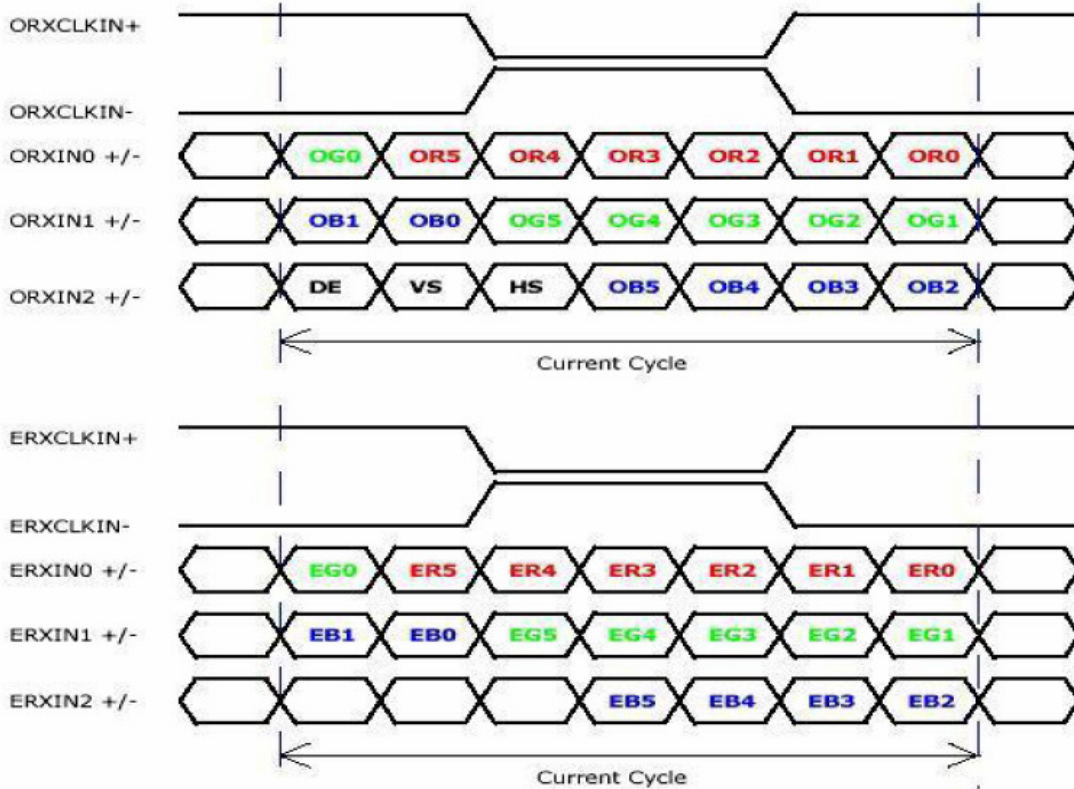
### 6.1 Pixel Format Image

Following figure shows the relationship of the input signals and LCD pixel format.





## 6.2 The Input Data Format



Signal Name	Description	
R5 R4 R3 R2 R1 R0	Red Data 5 (MSB) Red Data 4 Red Data 3 Red Data 2 Red Data 1 Red Data 0 (LSB)	Red-pixel Data Each red pixel's brightness data consists of these 6 bits pixel data.
G5 G4 G3 G2 G1 G0	Green Data 5 (MSB) Green Data 4 Green Data 3 Green Data 2 Green Data 1 Green Data 0 (LSB)	Green-pixel Data Each green pixel's brightness data consists of these 6 bits pixel data.
B5 B4 B3 B2 B1 B0	Blue Data 5 (MSB) Blue Data 4 Blue Data 3 Blue Data 2 Blue Data 1 Blue Data 0 (LSB)	Blue-pixel Data Each blue pixel's brightness data consists of these 6 bits pixel data.
RxCLKIN	Data Clock	The signal is used to strobe the pixel data and DE signals. All pixel data shall be valid at the falling edge when the DE signal is high
DE	Display Timing	This signal is strobed at the falling edge of RxCLKIN. When the signal is high, the pixel data shall be valid to be displayed.
VS	Vertical Sync	The signal is synchronized to RxCLKIN .
HS	Horizontal Sync	The signal is synchronized to RxCLKIN .

Note: Output signals from any system shall be low or High-impedance state when VDD is off.

## 6.3 Integration Interface Requirement

### 6.3.1 Connector Description

Physical interface is described as for the connector on module.

These connectors are capable of accommodating the following signals and will be following components.

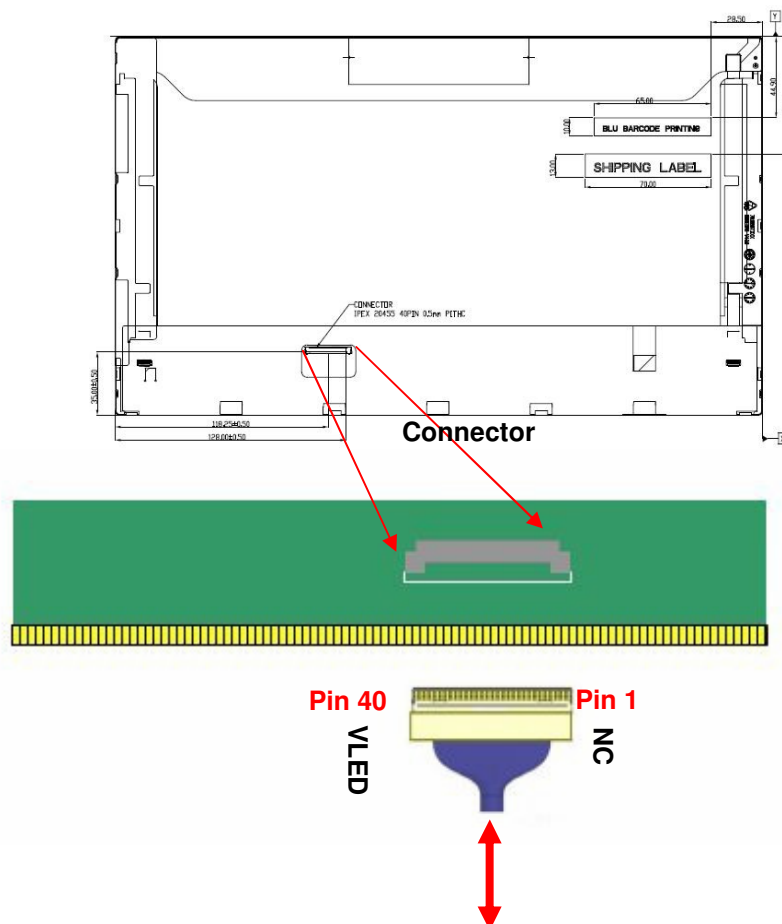
Connector Name / Designation	For Signal Connector
Manufacturer	IPEX or compatible
Type / Part Number	IPEX 20455-040E-12 or compatible
Mating Housing/Part Number	IPEX 20353-040T-11 or compatible

### 6.3.2 Pin Assignment

LVDS is a differential signal technology for LCD interface and high speed data transfer device.

PIN #	SIGNAL NAME	DESCRIPTION
1	DIAG_LOOP	Diag pin for Dell testing. Pin 1 & 34 must be connected together on the PCB board
2	VDD	Power Supply, 3.3 V (typical)
3	VDD	Power Supply, 3.3 V (typical)
4	V_EEDID	DDC 3.3V power
5	TEST	Panel Self Test
6	Clk_EEDID	DDC Clock
7	DATA_EEDID	DDC Data
8	Odd_Rin0-	- LVDS differential data input (R0-R5, G0) (odd pixels)
9	Odd_Rin0+	+ LVDS differential data input (R0-R5, G0) (odd pixels)
10	VSS	Ground – Shield
11	Odd_Rin1-	- LVDS differential data input (G1-G5, B0-B1) (odd pixels)
12	Odd_Rin1+	+ LVDS differential data input (G1-G5, B0-B1) (odd pixels)
13	VSS	Ground – Shield
14	Odd_Rin2-	- LVDS differential data input (B2-B5, HS, VS, DE) (odd pixels)
15	Odd_Rin2+	+ LVDS differential data input (B2-B5, HS, VS, DE) (odd pixels)
16	VSS	Ground – Shield
17	Odd_ClkIN-	- LVDS differential clock input (odd pixels)
18	Odd_ClkIN+	+ LVDS differential clock input (odd pixels)
19	VSS	Ground – Shield
20	Even_Rin0-	- LVDS differential data input (R0-R5, G0) (even pixels)
21	Even_Rin0+	+ LVDS differential data input (R0-R5, G0) (even pixels)
22	VSS	Ground – Shield
23	Even_Rin1-	- LVDS differential data input (G1-G5, B0-B1) (even pixels)
24	Even_Rin1+	+ LVDS differential data input (G1-G5, B0-B1) (even pixels)
25	VSS	Ground – Shield
26	Even_Rin2-	- LVDS differential data input (B2-B5, HS, VS, DE) (even pixels)
27	Even_Rin2+	+ LVDS differential data input (B2-B5, HS, VS, DE) (even pixels)
28	VSS	Ground – Shield
29	Even_ClkIN-	- LVDS differential clock input (even pixels)
30	Even_ClkIN+	+ LVDS differential clock input (even pixels)
31	VLED_GND	LED Ground
32	VLED_GND	LED Ground

33	VLED_GND	LED Ground
34	DIAG_LOOP	Diag pin for Dell testing. Pin 1 & 34 must be connected together on the PCB board
35	VPWM_EN	PWM logic input level
36	VLED_EN	LED enable input level
37	NC	No Connection (Reserve)
38	VLED	LED Power Supply
39	VLED	LED Power Supply
40	VLED	LED Power Supply



Note1: Input signals shall be low or High-impedance state when VDD is off.

## 6.4 Interface Timing

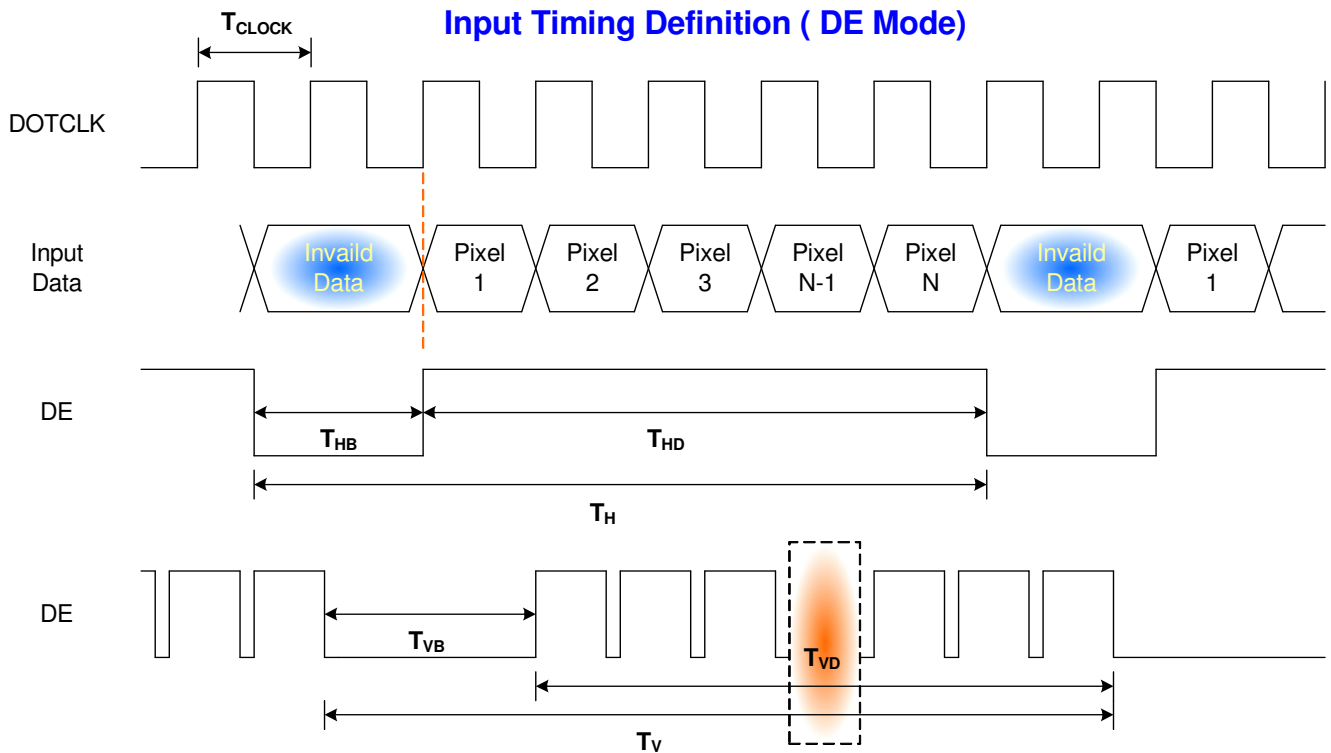
### 6.4.1 Timing Characteristics

Basically, interface timings should match the 1920x1080 /60Hz manufacturing guide line timing.

Parameter	Symbol	Min.	Typ.	Max.	Unit	
Frame Rate	-	50	60	-	Hz	
Clock frequency	$1/T_{Clock}$	64.63	71.2	-	MHz	
Vertical Section	Period	$T_V$	1088	1130	-	$T_{Line}$
	Active	$T_{VD}$	1080			
	Blanking	$T_{VB}$	8	50	-	
Horizontal Section	Period	$T_H$	990	1050	-	$T_{Clock}$
	Active	$T_{HD}$	960			
	Blanking	$T_{HB}$	30	90	-	

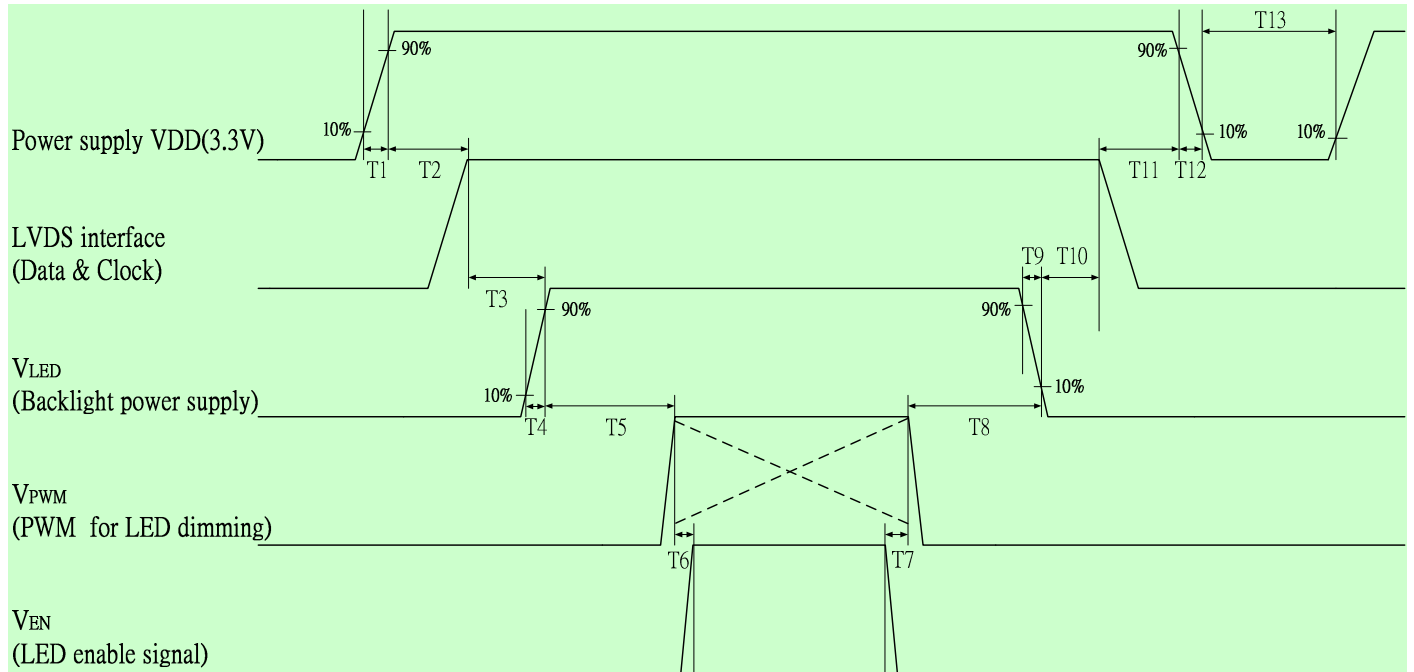
Note : DE mode only

### 6.4.2 Timing diagram



## 6.5 Power ON/OFF Sequence

Power on/off sequence is as follows. Interface signals and LED on/off sequence are also shown in the chart. Signals from any system shall be Hi-Z state or low level when VDD is off



Power Sequence Timing				
Parameter	Value			Units
	Min.	Typ.	Max.	
T1	0.5	-	10	ms
T2	0	-	50	
T3	200	-	-	
T4	0.5	-	10	
T5	10	-	-	
T6	10	-	-	
T7	0	-	-	
T8	10	-	-	
T9	0	-	10	
T10	200	-	-	
T11	0.5	-	50	
T12	0	-	10	
T13	400	-	-	

Note: If T3, T5, T6 couldn't match above specifications, must request  $T3+T5+T6 > 200\text{ms}$  at least

## 7. Panel Reliability Test

### 7.1 Vibration Test

**Test Spec:**

- Test method: Non-Operation
- Acceleration: 1.5 G
- Frequency: 10 - 500Hz Random
- Sweep: 30 Minutes each Axis (X, Y, Z)

### 7.2 Shock Test

**Test Spec:**

- Test method: Non-Operation
- Acceleration: 220 G , Half sine wave
- Active time: 2 ms
- Pulse: X,Y,Z .one time for each side

### 7.3 Reliability Test

Items	Required Condition	Note
Temperature Humidity Bias	Ta= 40°C, 90%RH, 300h	
High Temperature Operation	Ta= 50°C, Dry, 300h	
Low Temperature Operation	Ta= 0°C, 300h	
High Temperature Storage	Ta= 60°C, 35%RH, 300h	
Low Temperature Storage	Ta= -20°C, 50%RH, 250h	
Thermal Shock Test	Ta=-20°C to 60°C, Duration at 30 min, 100 cycles	
ESD	Contact : ±8 KV Air : ±15 KV	Note 1

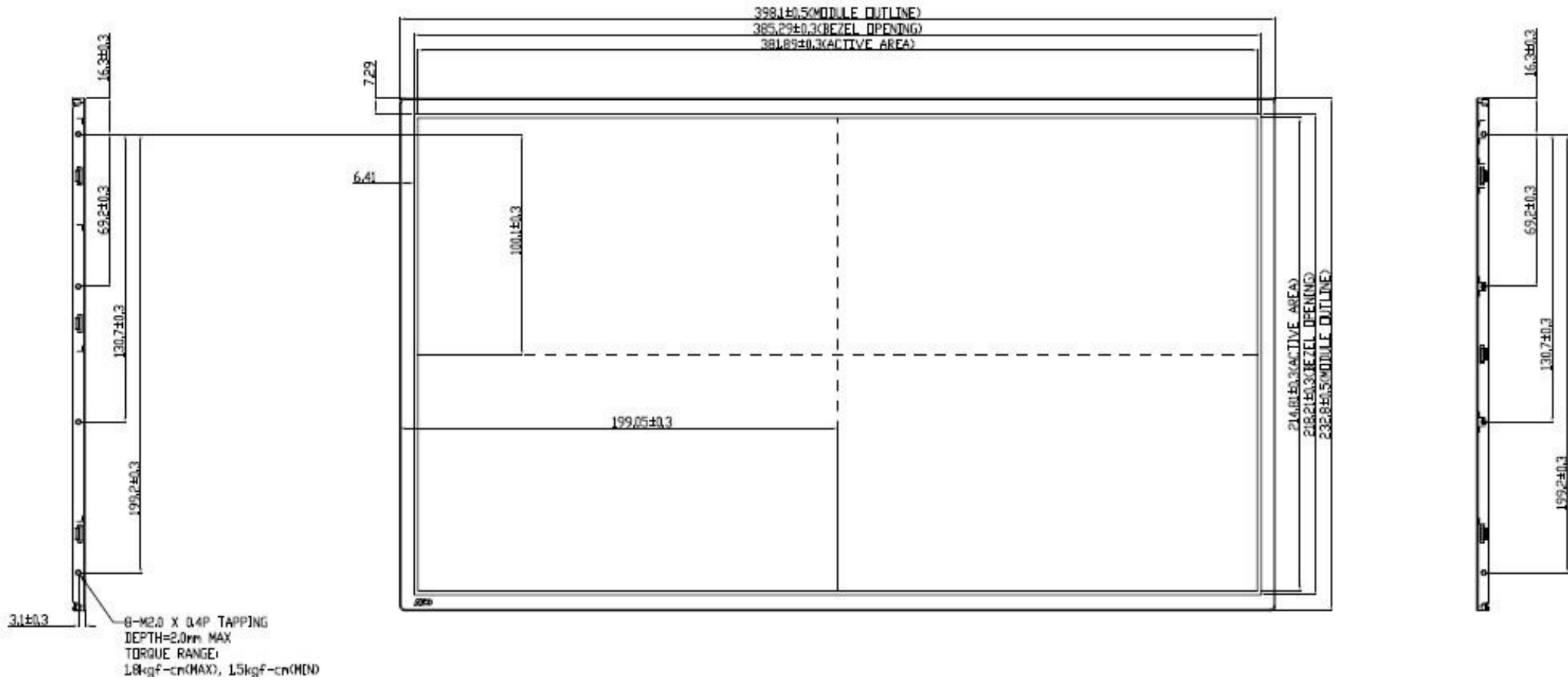
**Note1:** According to EN 61000-4-2 , ESD class B: Some performance degradation allowed. Self-recoverable.

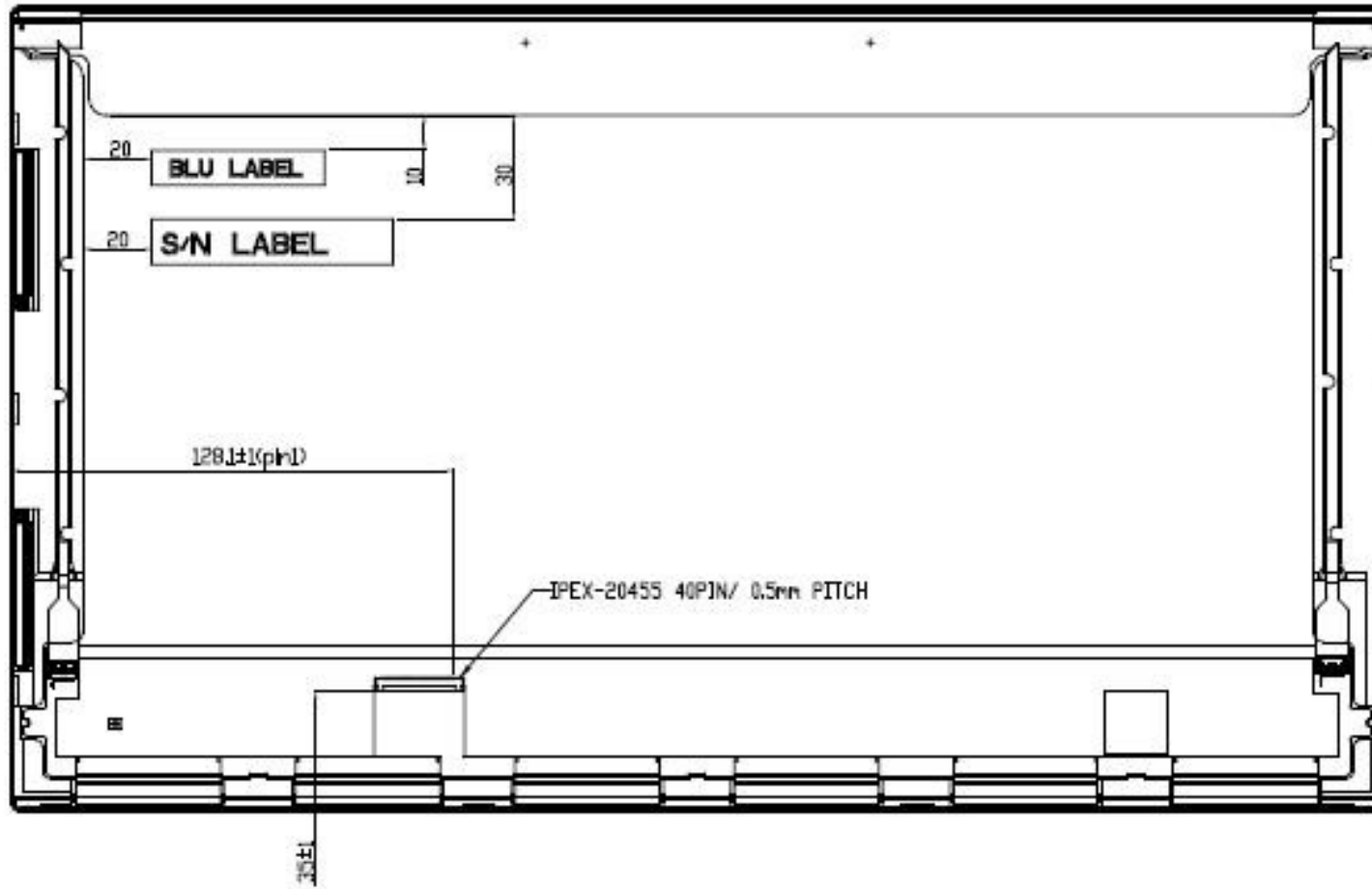
No data lost, No hardware failures.

**Remark:** MTBF (Excluding the LED): 30,000 hours with a confidence level 90%

## 8. Mechanical Characteristics

### 8.1 LCM Outline Dimension





Note: Prevention IC damage, IC positions not allowed any overlap over these areas.

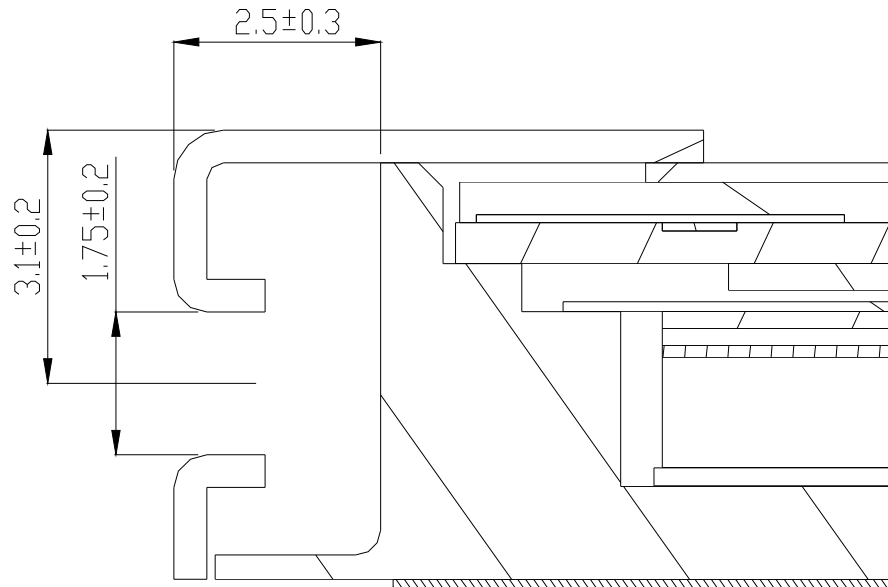


## 8.2 Screw Hole Depth and Center Position

Maximum Screw penetration from side surface is 2.2 mm

The center of screw hole center location is  $3.1 \pm 0.2$ mm from front surface

Screw Torque: Maximum 2.5 kgf-cm



## 9. Shipping and Package

### 9.1 Shipping Label Format

	Manufactured MM/WW Model No: <b>B173HW01 V4</b> AU Optronics <b>MADE IN CHINA(S03)</b>	
*XXXXXXXXXXXX-XXXXXX	H/W: <b>0A</b> F/W:1	
	CN - <b>0X919N</b> -72090- XXX-XXXX-A00  Made In China DP/N <b>0X919N</b>	

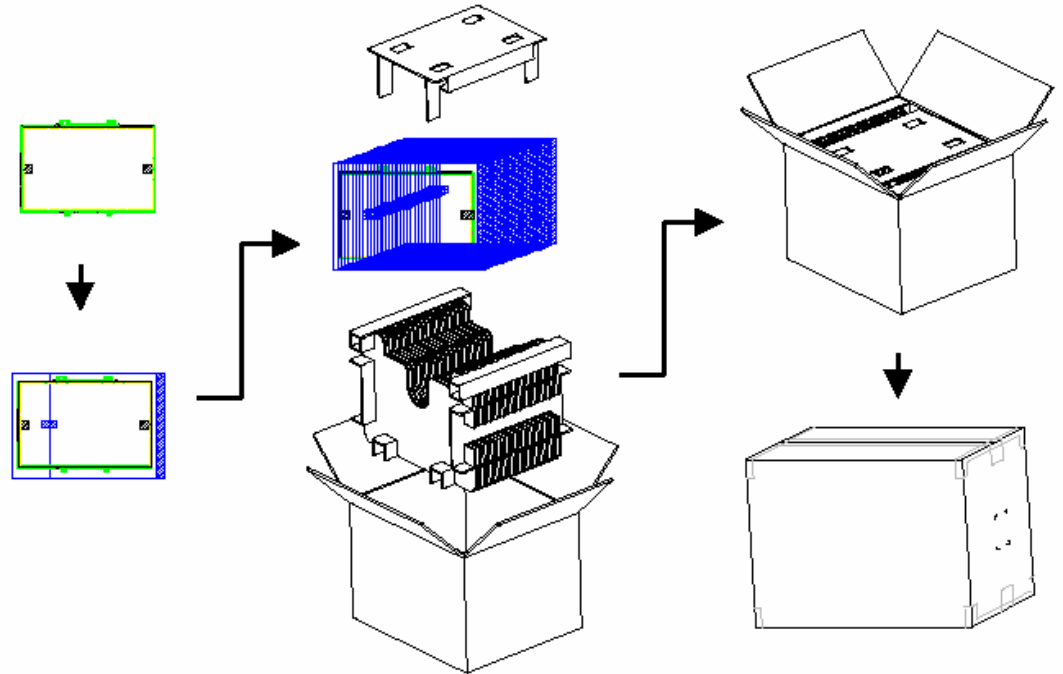
## 12.2 Definition of customer PPID Label and Revision Code

Please refer to the Dell Part identification Label Specification, Number:13190

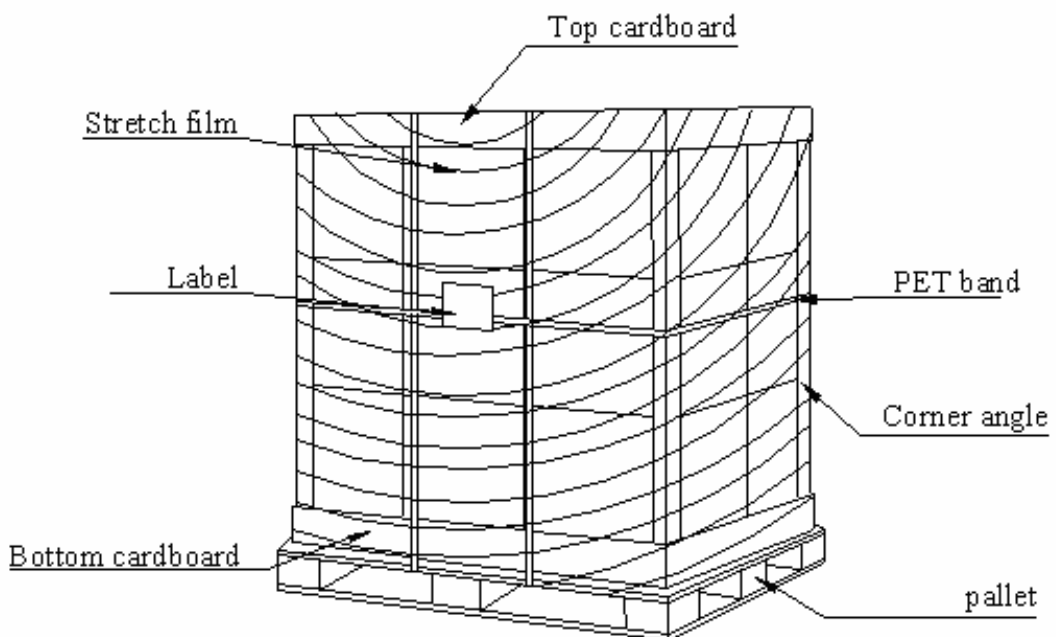
Build Name(s):	PPID Revision Code(s):
Sub System Test (SST)  Working Sample (WS)  ENG 2	X00, X01, X02, ..., X0n
Product Test (PT)  Engineering Sample (ES)  ENG 3	X10, X11, X12, ..., X1n
System Test (ST)  Customer Sample (CS)  ENG 4	X20, X21, X22, ... X2n
X-Build (XB)  Mass Production (MP)  ENG 5	A00, A01, A02, ... A0n

## 9.2 Carton Package

The outside dimension of carton is 455 (L)mm x 380 (W)mm x 355 (H)mm



## 9.3 Shipping Package of Palletizing Sequence





# Product Specification

AU OPTRONICS CORPORATION

## 10. Appendix: EDID Description

	Byte (hex)	Field Name and Comments	Value (hex)	Value (binary)	Value (DEC)
Header	0	Header	00	00000000	0
	1	Header	FF	11111111	255
	2	Header	FF	11111111	255
	3	Header	FF	11111111	255
	4	Header	FF	11111111	255
	5	Header	FF	11111111	255
	6	Header	FF	11111111	255
Vendor / Product EDID Version	7	Header	00	00000000	0
	8	EISA manufacture code = 3 Character ID	06	00000110	6
	9	EISA manufacture code (Compressed ASCII)	AF	10101111	175
	0A	Panel Supplier Reserved – Product Code	9D	10011101	157
	0B	Panel Supplier Reserved – Product Code	14	00010100	20
	0C	LCD module Serial No - Preferred but Optional ("0" if not used)	00	00000000	0
	0D	LCD module Serial No - Preferred but Optional ("0" if not used)	00	00000000	0
	0E	LCD module Serial No - Preferred but Optional ("0" if not used)	00	00000000	0
	0F	LCD module Serial No - Preferred but Optional ("0" if not used)	00	00000000	0
	10	Week of manufacture	01	00000001	1
	11	Year of manufacture	13	00010011	19
	12	EDID structure version # = 1	01	00000001	1
	13	EDID revision # = 3	03	00000011	3
Display Parameters	14	Video I/P definition = Digital I/P (90 (6-bit) or A0 (8-Bit))	90	10010000	144
	15	Max H image size = ?? CM(Rounded to cm)	26	00100110	38
	16	Max V image size = ?? CM(Rounded to cm)	15	00010101	21
	17	Display gamma = (gamma x100)-100 = Example: ( 2.2x100 ) – 100 = 120	78	01111000	120
Panel Color Coordinates	18	Feature support ( no DPMS, Active off, RGB, timing BLK 1) ==> fix=0A	0A	00001010	10
	19	Red/Green Low bit (RxRy/GxGy)	7D	01111101	125
	1A	Blue/White Low bit (BxBY/WxWy)	45	01000101	69
	1B	Red X Rx = 0.???	AB	10101011	171
	1C	Red Y Ry = 0.???	4F	01001111	79
	1D	Green X Rx = 0.???	38	00111000	56
	1E	Green Y Ry = 0.???	A6	10100110	166
	1F	Blue X Rx = 0.???	24	00100100	36
	20	Blue Y Ry = 0.???	12	00010010	18
	21	White X Rx = 0.???	50	01010000	80
Establi shed Timing s	22	White Y Ry = 0.???	54	01010100	84
	23	Established timings 1 (00h if not used)	00	00000000	0
	24	Established timings 2 (00h if not used)	00	00000000	0
Standard Timing ID	25	Manufacturer's timings (00h if not used)	00	00000000	0
	26	Standard timing ID1 (01h if not used)	01	00000001	1
	27	Standard timing ID1 (01h if not used)	01	00000001	1
	28	Standard timing ID2 (01h if not used)	01	00000001	1
	29	Standard timing ID2 (01h if not used)	01	00000001	1
	2A	Standard timing ID3 (01h if not used)	01	00000001	1
	2B	Standard timing ID3 (01h if not used)	01	00000001	1
	2C	Standard timing ID4 (01h if not used)	01	00000001	1
	2D	Standard timing ID4 (01h if not used)	01	00000001	1
	2E	Standard timing ID5 (01h if not used)	01	00000001	1
	2F	Standard timing ID5 (01h if not used)	01	00000001	1
30	Standard timing ID6 (01h if not used)	01	00000001	1	
31	Standard timing ID6 (01h if not used)	01	00000001	1	
32	Standard timing ID7 (01h if not used)	01	00000001	1	
33	Standard timing ID7 (01h if not used)	01	00000001	1	
34	Standard timing ID8 (01h if not used)	01	00000001	1	
35	Standard timing ID8 (01h if not used)	01	00000001	1	



# Product Specification

AU OPTRONICS CORPORATION

Timing Descriptor #1	36	Pixel Clock/10,000 (LSB)	A0	10100000	160
	37	Pixel Clock/10,000 (MSB)	37	00110111	55
	38	Horizontal Active = ???? pixels (lower 8 bits)	80	10000000	128
	39	Horizontal Blanking (Thbp) = 320 pixels (lower 8 bits)	B4	10110100	180
	3A	Horizontal Active/Horizontal blanking (Thbp) (upper4:4 bits)	70	01110000	112
	3B	Vertical Active = ??? lines	38	00111000	56
	3C	Vertical Blanking (Tvbp) = ?? lines (DE Blanking typ. for DE only panels)	32	00110010	50
	3D	Vertical Active : Vertical Blanking (Tvbp) (upper4:4 bits)	40	01000000	64
	3E	Horizontal Sync, Offset (Thfp) = ?? pixels	6C	01101100	108
	3F	Horizontal Sync, Pulse Width = ??? pixels	30	00110000	48
	40	Vertical Sync, Offset (Tvfp) = ? lines Sync Width = ? lines	AA	10101010	170
	41	Horizontal Vertical Sync Offset/Width upper 2 bits	00	00000000	0
	42	Horizontal Image Size = ??? mm	7D	01111101	125
	43	Vertical image Size = ??? mm	D6	11010110	214
	44	Horizontal Image Size / Vertical image size	10	00010000	16
	45	Horizontal Border = 0 (Zero for Notebook LCD)	00	00000000	0
	46	Vertical Border = 0 (Zero for Notebook LCD)	00	00000000	0
47	Bit[7] 0: Non-interlace, 1: Interlace Bit[6:5] 00: Normal display, no strero, see VESA EDID Spec 1.3 Bit[4:3] 00: Analog composite, 01: Bipolar analog composite, 10: Digital composite, 11: Digital separate Bit[2:1] : The interpretation of bits 2 and 1 is dependent on the decode of bits 4 and 3 - see VESA EDID Spec 1.3 Bit[0] : See VESA EDID Spec 1.3 ==> fix=1A	1A	00011010	26	
Timing Descriptor #2 (=Timing Descriptor #1)	48	Pixel Clock/10,000 (LSB)	A0	10100000	160
	49	Pixel Clock/10,000 (MSB)	37	00110111	55
	4A	Horizontal Active = xxxx pixels (lower 8 bits)	80	10000000	128
	4B	Horizontal Blanking (Thbp) = xxxx pixels (lower 8 bits)	B4	10110100	180
	4C	Horizontal Active/Horizontal blanking (Thbp) (upper4:4 bits)	70	01110000	112
	4D	Vertical Active = xxxx lines	38	00111000	56
	4E	Vertical Blanking (Tvbp) = xxxx lines (DE Blanking typ. for DE only panels)	32	00110010	50
	4F	Vertical Active : Vertical Blanking (Tvbp) (upper4:4 bits)	40	01000000	64
	50	Horizontal Sync, Offset (Thfp) = xxxx pixels	6C	01101100	108
	51	Horizontal Sync, Pulse Width = xxxx pixels	30	00110000	48
	52	Vertical Sync, Offset (Tvfp) = xx lines Sync Width = xx lines	AA	10101010	170
	53	Horizontal Vertical Sync Offset/Width upper 2 bits	00	00000000	0
	54	Horizontal Image Size = xxx mm	7D	01111101	125
	55	Vertical image Size = xxx mm	D6	11010110	214
	56	Horizontal Image Size / Vertical image size	10	00010000	16
	57	Horizontal Border = 0 (Zero for Notebook LCD)	00	00000000	0
	58	Vertical Border = 0 (Zero for Notebook LCD)	00	00000000	0
59	Bit[7] 0: Non-interlace, 1: Interlace Bit[6:5] 00: Normal display, no strero, see VESA EDID Spec 1.3 Bit[4:3] 00: Analog composite, 01: Bipolar analog composite, 10: Digital composite, 11: Digital separate Bit[2:1] : The interpretation of bits 2 and 1 is dependent on the decode of bits 4 and 3 - see VESA EDID Spec 1.3 Bit[0] : See VESA EDID Spec 1.3 ==> fix=1A	1A	00011010	26	
Computer #3 Information	5A	Flag	00	00000000	0
	5B	Flag	00	00000000	0
	5C	Flag	00	00000000	0
	5D	Data Type Tag: Alphanumeric Data String (ASCII) ==> fix=FE	FE	11111110	254
	5E	Flag	00	00000000	0
	5F	Dell P/N 1 <sup>st</sup> Character	58	01011000	88
	60	Dell P/N 2 <sup>nd</sup> Character	39	00111001	57
61	Dell P/N 3 <sup>rd</sup> Character	31	00110001	49	
62	Dell P/N 4 <sup>th</sup> Character	39	00111001	57	



# Product Specification

AU OPTRONICS CORPORATION

Timing Descriptor #4	6C	Flag	00	00000000	0
	6D	Flag	00	00000000	0
	6E	Flag	00	00000000	0
	6F	Data Type Tag: Manufacturer Specified Data 00 ==>fix=00	00	00000000	0
	70	Flag	00	00000000	0
	71	SMBUS Value = ?? Nits ==> fix=00(for M09)	00	00000000	0
	72	SMBUS Value = ?? Nits ==> fix=00(for M09)	00	00000000	0
	73	SMBUS Value = ?? Nits ==> fix=00(for M09)	00	00000000	0
	74	SMBUS Value = ?? Nits ==> fix=00(for M09)	00	00000000	0
	75	SMBUS Value = ?? Nits ==> fix=00(for M09)	00	00000000	0
	76	SMBUS Value = ?? Nits ==> fix=00(for M09)	00	00000000	0
	77	SMBUS Value = ?? Nits ==> fix=00(for M09)	00	00000000	0
	78	SMBUS Value = ?? Nits ==> fix=00(for M09)	00	00000000	0
	79	Bit[1:0] 00: reserved, 01: single LVDS, 10: dual LVDS, 11: reserved Bit[2] 0: No RTC support, 1: RTC support Bit[7:3] Reserved	02	00000010	2
7A	Bit[0] 0: No BIST support, 1: BIST support Bit[7:1] Reserved	01	00000001	1	
7B	(If <13 char, then terminate with ASCII code 0Ah, set remaining char = 20h)	0A	00001010	10	
7C	(If <13 char, then terminate with ASCII code 0Ah, set remaining char = 20h)	20	00100000	32	
7D	(If <13 char, then terminate with ASCII code 0Ah, set remaining char = 20h)	20	00100000	32	
Check	7E	Extension flag (# of optional 128 EDID extension blocks to follow, Typ = 0)	00	00000000	0
	7F	Checksum (The 1-byte sum of all 128 bytes in this EDID block shall = 0)	26	00100110	38